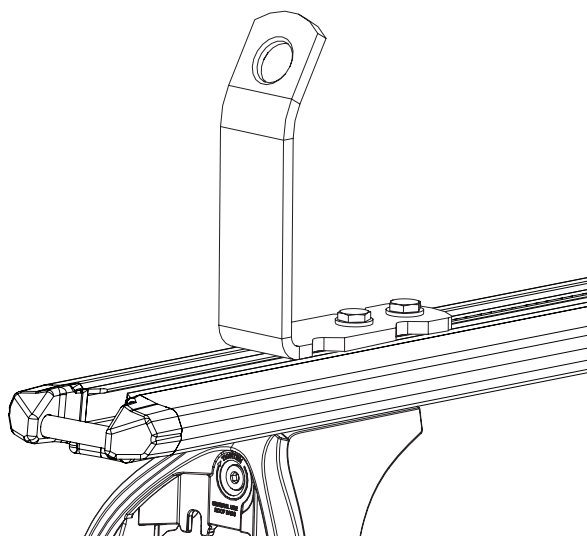


### IMPORTANT:

- It is critical that all Yakima racks and accessories are properly and securely attached to your vehicle. Improper attachment could result in an automobile accident, and could cause serious bodily injury or death to you or to others.
- You are responsible for securing the racks and accessories to your car, checking the attachments prior to use, and periodically inspecting the products for adjustment, wear, and damage.
- If you do not understand all of the instructions and cautions, or if you have no mechanical experience and are not thoroughly familiar with the installation procedures, you should have the product installed by a professional installer such as a roof rack specialist.

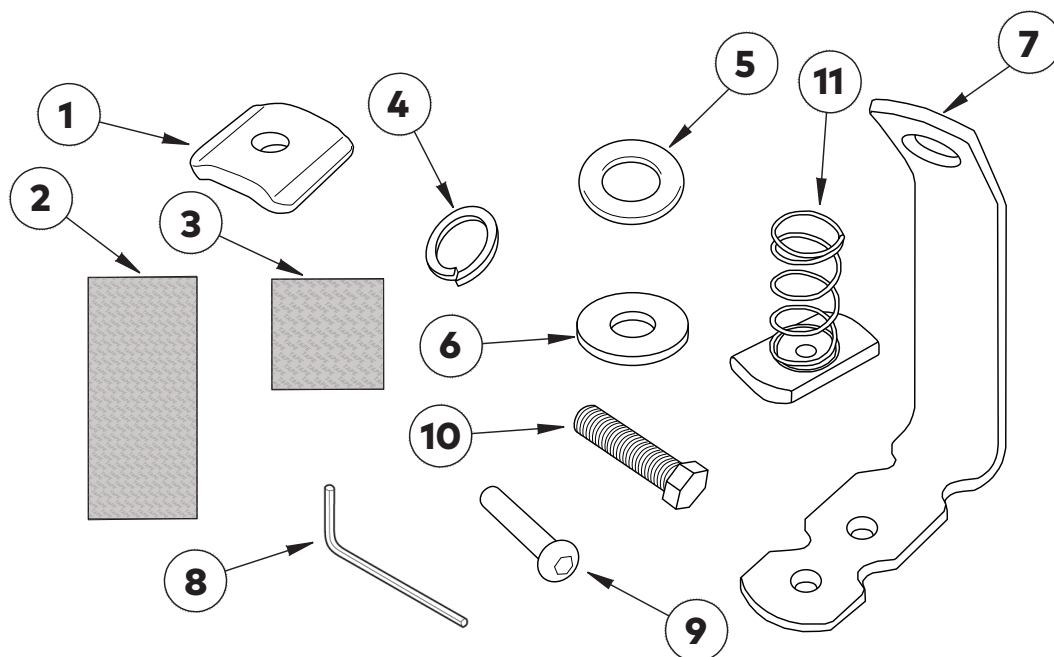


### FIRST TIME INSTALLATION

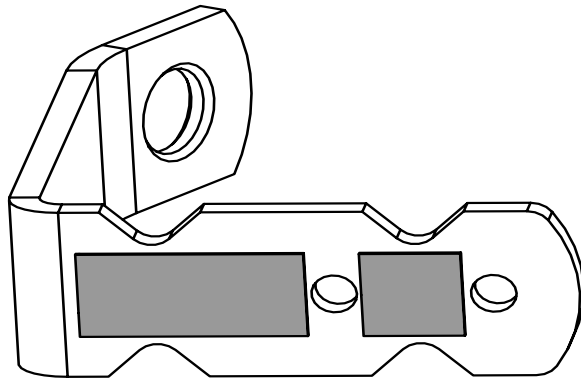
- Please read instructions carefully before installation.
- Check the contents of kit. Contact your Yakima dealer if any parts appear missing or damaged.
- Place these instructions in the vehicle's glove box after installation is complete.

### KIT CONTENTS

ITEM	COMPONENT	QTY	ITEM	COMPONENT	QTY
1.	M6 Nut Slot	x4	7.	Load Holder Bracket	x2
2.	45 x 20 Bump on Tape	x2	8.	Allen Key	x1
3.	20 x 20 Bump on Tape	x2	9.	M6 x 16 Button Head Cap Screw	x4
4.	M6 Washer Spring	x4	10.	M8 x 20 Hex Screw	x4
5.	M8 Flat Washer	x4	11.	M8 Long Spring Nut	x4
6.	M6 x 16 mm Washer	x4			



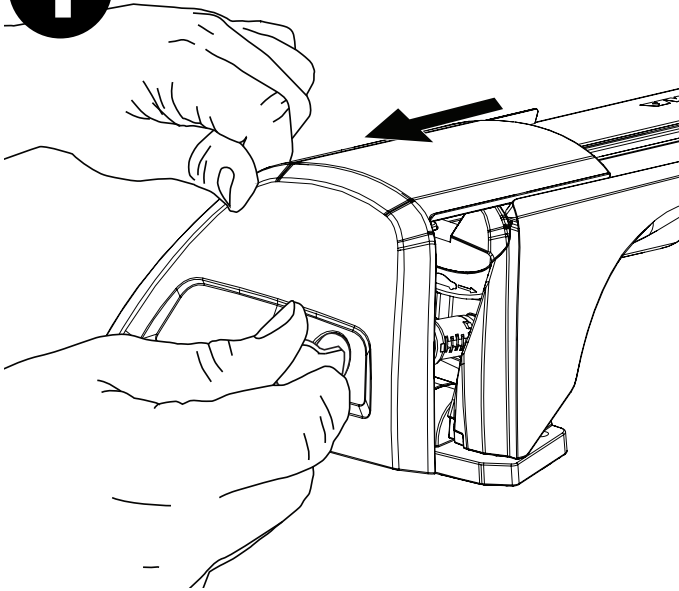
## INSTALL BUMP ON TAPE



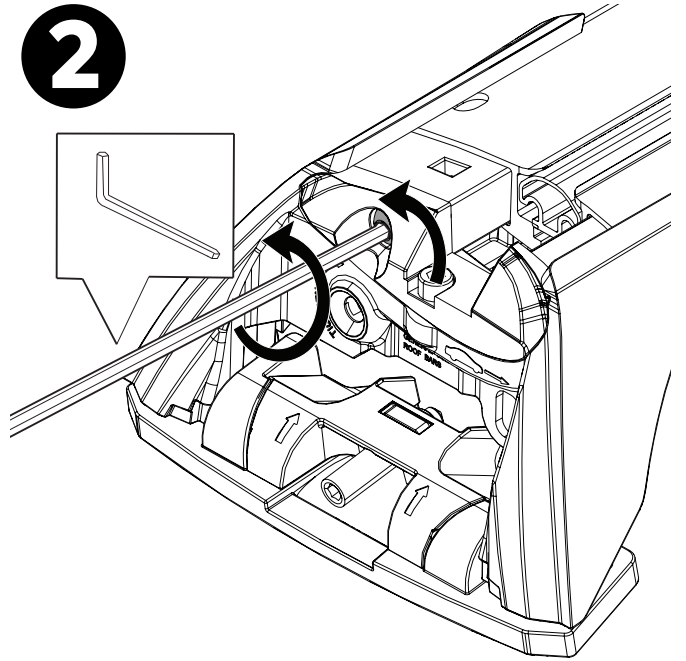
**x2**

## INSTALLATION AERO BARS

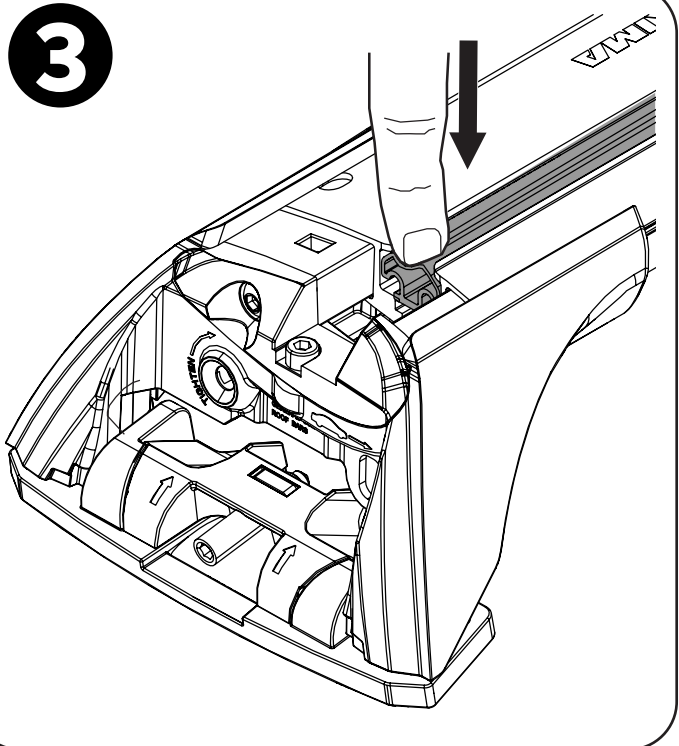
**1**



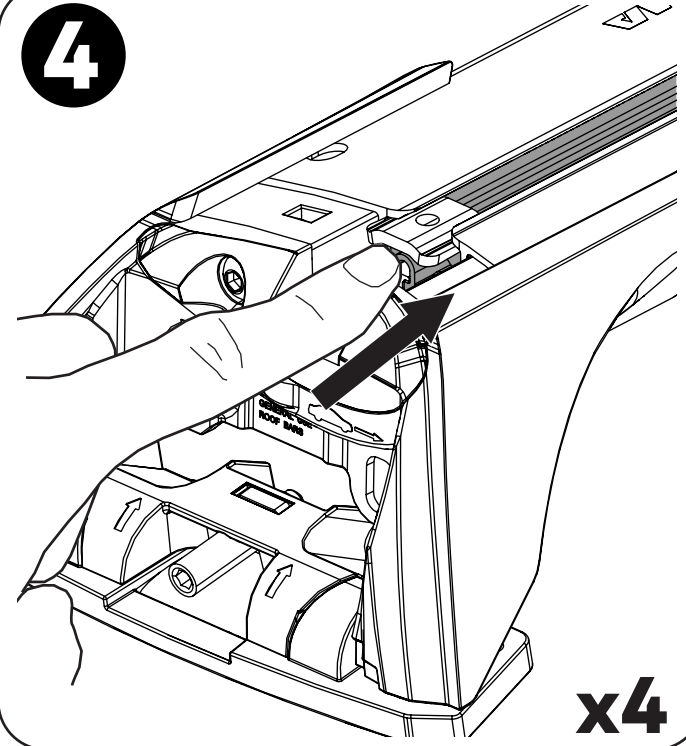
**2**



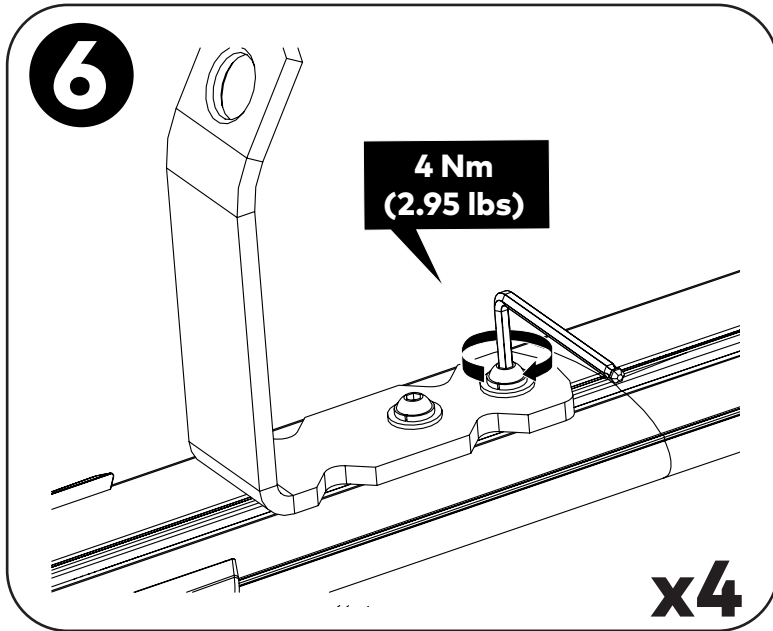
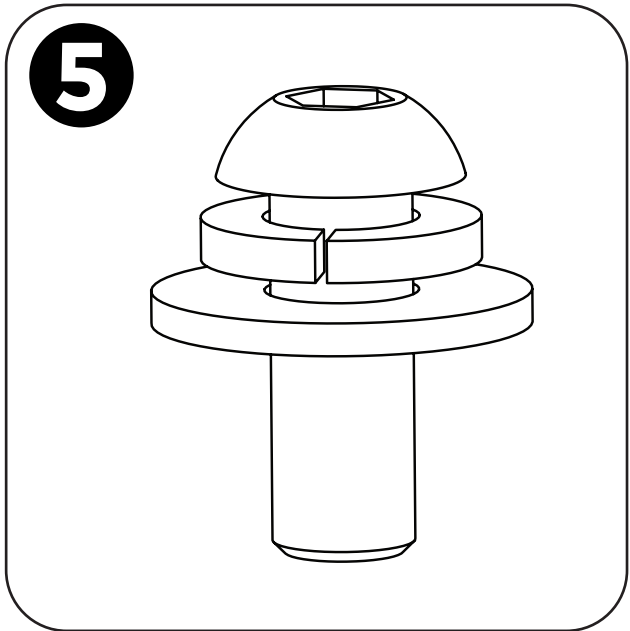
**3**



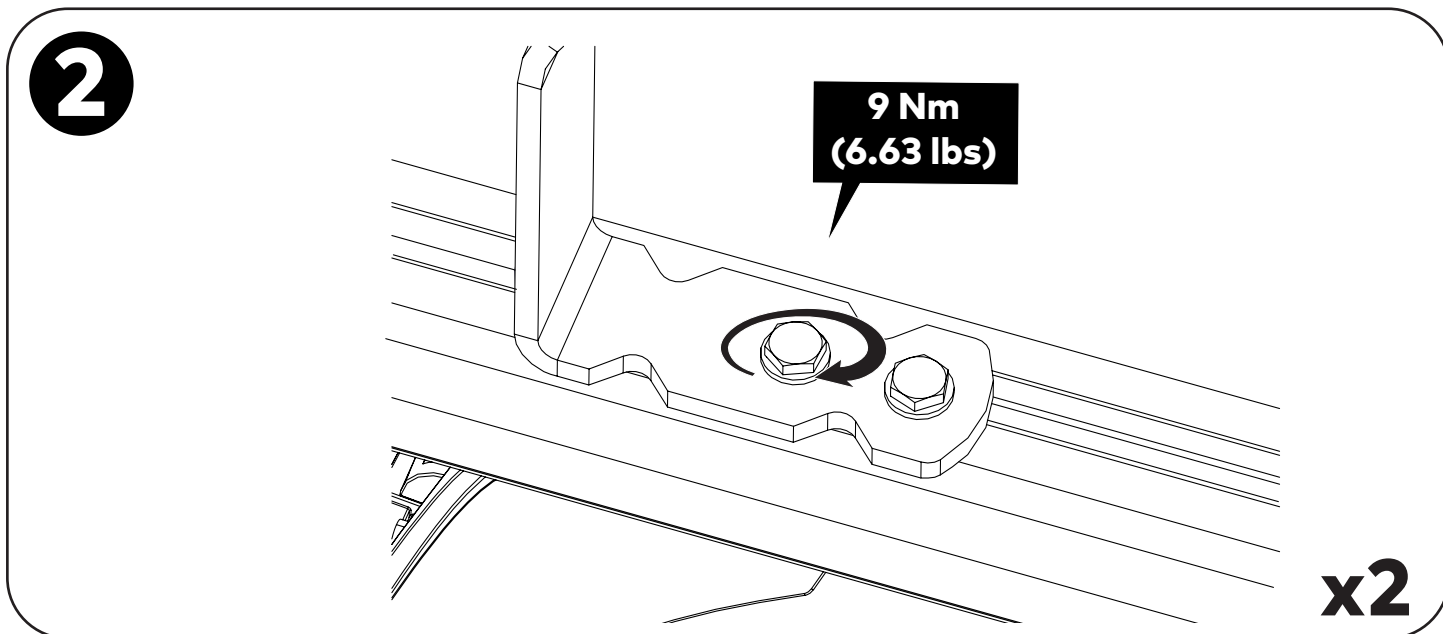
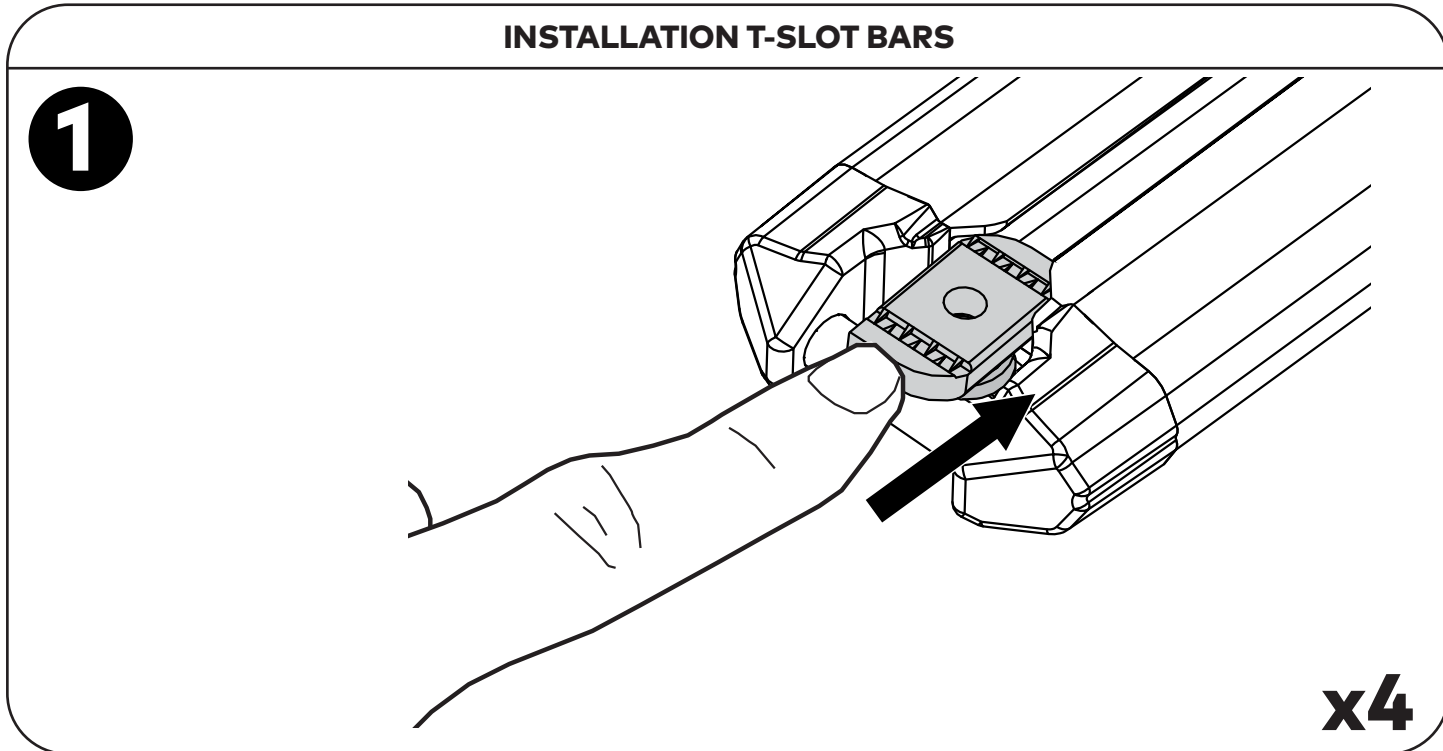
**4**



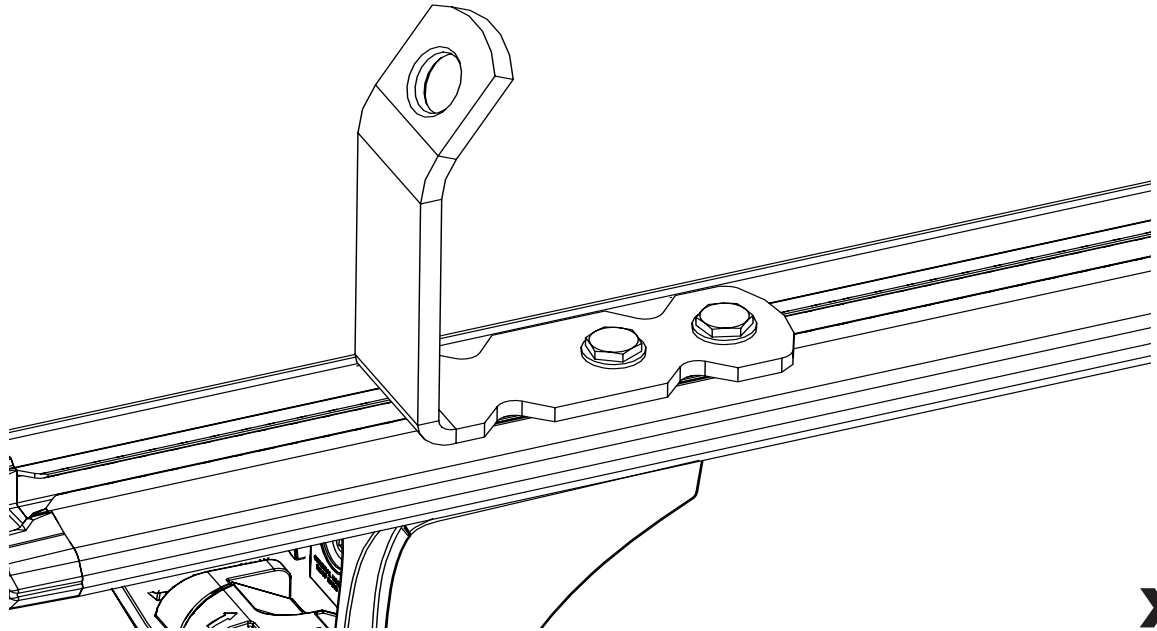
**x4**



### INSTALLATION T-SLOT BARS



3



**YAKIMA®**

[www.yakima.com.au](http://www.yakima.com.au)  
[www.yakima.co.nz](http://www.yakima.co.nz)  
[www.yakima.com](http://www.yakima.com)  
[www.yakima.eu](http://www.yakima.eu)

**YAKIMA AUSTRALIA PTY LTD**

17 Hinkler Court  
Brendale, QLD 4500  
Australia  
1800 143 548  
[yakimaglobal.com](http://yakimaglobal.com)

**YAKIMA PRODUCTS, INC.**

4101 Kruse Way  
Lake Oswego, OR  
97035-2541  
USA  
888 925 4621  
[yakima.com/support](http://yakima.com/support)

ALL CONTENT SUBJECT TO YAKIMA AUSTRALIA PTY LTD COPYRIGHT © 2022